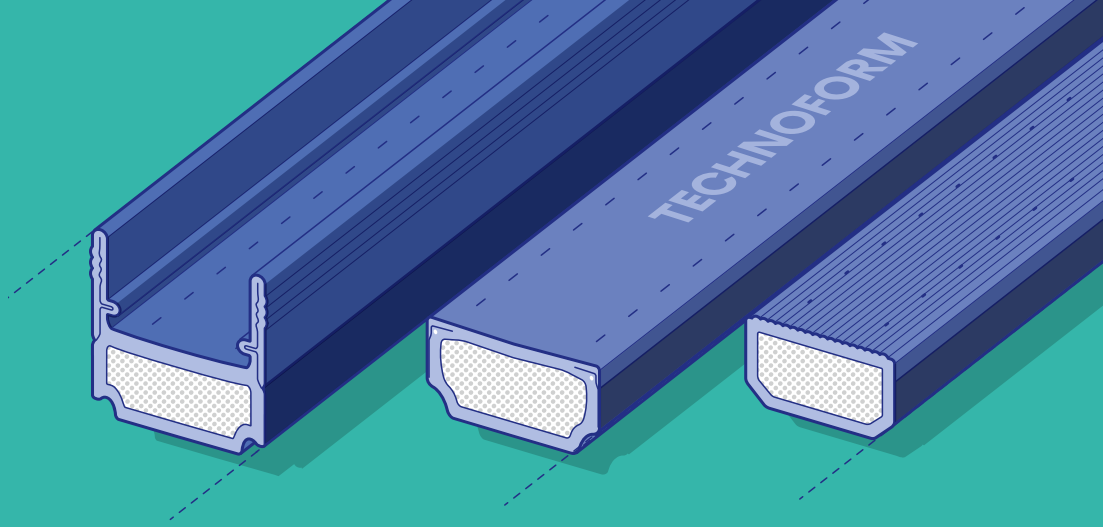




TECHNOFORM

Creating complete solutions

**Thermal edge bond solutions
for insulating glass**



Hello, we are Technoform!

As a family company, we know that people empower every business. We firmly believe that the best ideas are always born together.

We are Technoform – 1,400 and growing, dedicated innovators that work for our customers worldwide. Understanding what drives customers and markets since 1969, we develop leading solutions collaboratively. Providing 100 % reliability and quality on all levels, we offer the same level of high-quality services and solutions all around the world. 45 sites in over 40 countries ensure continuous supply wherever you are.

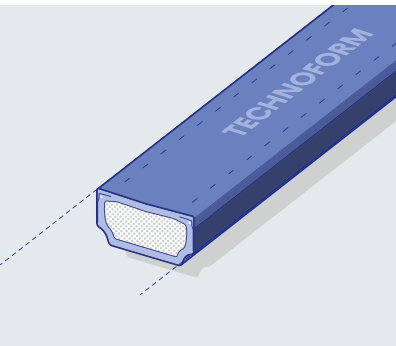
Within Technoform, we focus on the development of thermally optimized edge bond solutions. We are driven by our daily challenge to find the best options for your individual purposes – and we are only satisfied when you are.

Performing 360° precision and 1,000+ skills, our highly trained team turns individual needs into tailored technological solutions. Delivering quantities from 1 to 1,000,000 meters, our customers can rely on receiving the best available package of quality, quantity by time, and price.

TGI-Spacer M – Equipped for every challenge

The TGI-Spacer M was designed to meet the numerous requirements which apply to the modern glass edge seal. It is available in a range of variants specially matched to their individual intended use. While some of the details of the designs may differ from each other, they all provide low Psi values, high productivity, high process reliability and high-quality appearance. The TGI-Spacer M is a certified Passive House Component Class phB (Cold Climate). It complies to the requirements of EN 1279-2, 3 & 6, DTA and ASTM.

You can benefit from the following advantages:



TGI-Spacer M with wire (ww)

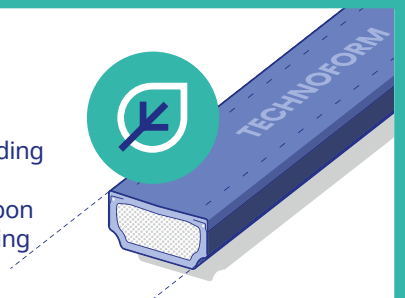
- High profile stability due to patented steel wires
- Ideal for medium to large frames
- No readjustment of the frame
- Rigid corners

TGI-Spacer M without wire (nw)

- High level of design flexibility in any form
- Enables the bending of the smallest radii
- Allows negative bending (e.g. for continuous ventilation pipes)

TGI-Spacer M Bio – Powered by nature

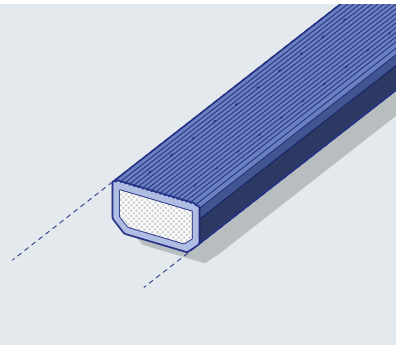
With our biobased polymer derived from plants we offer additional benefits by providing environmental certification, e.g. LEED or BREEAM, and a significant reduction of carbon dioxide and fossil energy consumption during the production process.



TGI-Spacer Precision – Rely on perfection

Due to our innovative production process, Technoform can consistently guarantee the high quality of the edge bond. Our developments in thermal performance fit in perfectly with the trend towards nearly zero-energy houses. The optimum combination of materials in the TGI-Spacer Precision enables the lowest possible U values to be achieved in the system as a whole. As a result, fluctuations in thermal values are minimized, ensuring that designers and customers have a reliable basis for their calculations. Reliable process stability and insertion are ensured while a high-quality look completes the package. The TGI-Spacer Precision complies to the requirements of EN 1279-2, 3 & 6. It is a certified Passive House Component Class p4A (Arctic Climate).

You can benefit from the following advantages:



TGI-Spacer Precision

- High quality of the glass edge seal and consistent Lambda-equivalent values due to lowest possible product tolerances
- Outstanding thermal performance
- Optimum process capability due to high fracture strength
- Suitable for large frames and triple-glazed units due to high profile stability
- Smooth and bright surface
- Perfectly fitting connecting elements



Leading to LEED Gold

University of Central Missouri,
Warrensburg, USA, 2011, LEED Gold

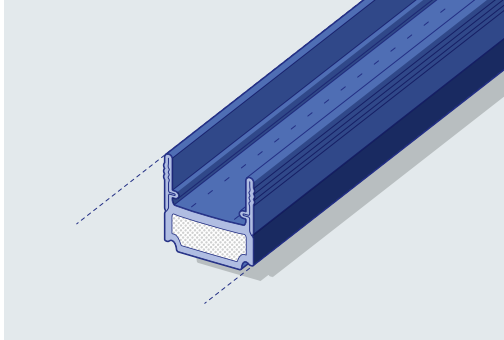


TGI-Spacer Pellini – Our internal blinds specialist

The TGI-Spacer Pellini is a spacer with integrated locating and guiding elements, specially designed for use with internal blinds while keeping Psi values low within the whole system.

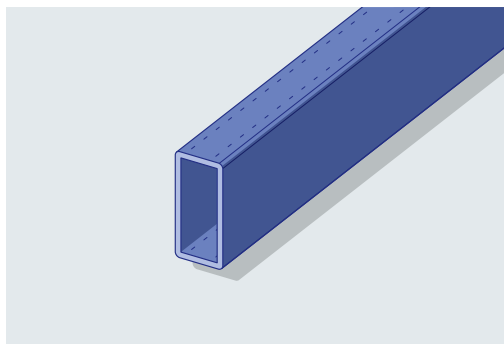
TGI-Muntin – Less contact, more performance

Our “muntin” glazing bar system can be positioned within an insulating glass unit without any direct contact with the glass. It is aesthetically identical to the TGI-Spacer M, giving insulating glazing manufacturers a complete thermally optimized system that meets current thermal insulation requirements and will also meet the tighter requirements of tomorrow. Cross-shaped muntin bar connectors are used to connect profiles and are matched to the exact profile width in each case.



You can benefit from the following advantages:

- No noise or damage to the surface of the glass
- Low Psi values
- High-quality appearance



You can benefit from the following advantages:

- Low heat conductivity of just 0.25 W/mK
- Very high profile stability and low coefficient of linear expansion due to integrated glass fibres
- Perfect processability together with TGI-Spacer M

Thermal Values

A comparison of thermal values (according to Bundesverband Flachglas e.V.):

	Aluminum Spacer		TGI-Spacer M		TGI-Spacer Precision		
	Glazing	2 IG	3 IG	2 IG	3 IG	2 IG	3 IG
Wood Frame	ψ value	0.074 W/mK	0.078 W/mK	0.040 W/mK	0.039 W/mK	0.031 W/mK	0.029 W/mK
	U_w window	1.37 W/m ² K	1.08 W/m ² K	1.29 W/m ² K	0.98 W/m ² K	1.27 W/m ² K	0.95 W/m ² K
	Temperature factor f_{Rsi}	0.50	0.57	0.62	0.70	0.66	0.74
	Surface temp. T_{si} at -10 °C, +20 °C	7.6	9.3	10.6	12.5	11.4	13.4
	Aluminum Spacer		TGI-Spacer M		TGI-Spacer Precision		
	Glazing	2 IG	3 IG	2 IG	3 IG	2 IG	3 IG
Plastic Frame	ψ value	0.068 W/mK	0.069 W/mK	0.040 W/mK	0.038 W/mK	0.032 W/mK	0.030 W/mK
	U_w window	1.30 W/m ² K	1.00 W/m ² K	1.23 W/m ² K	0.92 W/m ² K	1.21 W/m ² K	0.90 W/m ² K
	Temperature factor f_{Rsi}	0.54	0.59	0.65	0.70	0.68	0.73
	Surface temp. T_{si} at -10 °C, +20 °C	8.6	9.8	11.3	12.9	12.0	13.3
	Aluminum Spacer		TGI-Spacer M		TGI-Spacer Precision		
	Glazing	2 IG	3 IG	2 IG	3 IG	2 IG	3 IG
Aluminum Frame	ψ value	0.100 W/mK	0.100 W/mK	0.049 W/mK	0.044 W/mK	0.036 W/mK	0.031 W/mK
	U_w window	1.52 W/m ² K	1.26 W/m ² K	1.39 W/m ² K	1.12 W/m ² K	1.36 W/m ² K	1.09 W/m ² K
	Temperature factor f_{Rsi}	0.53	0.60	0.66	0.73	0.69	0.76
	Surface temp. T_{si} at -10 °C, +20 °C	8.3	10.1	11.5	13.3	12.4	14.1
	Aluminum Spacer		TGI-Spacer M		TGI-Spacer Precision		
	Glazing	2 IG	3 IG	2 IG	3 IG	2 IG	3 IG
Wood/Alu. Frame	ψ value	0.084 W/mK	0.090 W/mK	0.044 W/mK	0.042 W/mK	0.032 W/mK	0.030 W/mK
	U_w window	1.40 W/m ² K	1.15 W/m ² K	1.31 W/m ² K	1.03 W/m ² K	1.28 W/m ² K	1.00 W/m ² K
	Temperature factor f_{Rsi}	0.45	0.53	0.59	0.59	0.63	0.71
	Surface temp. T_{si} at -10 °C, +20 °C	6.2	8.2	9.7	11.9	10.7	12.8

Colors and Sizes

Widths	TGI-Spacer M		TGI-Spacer Precision	TGI-Spacer Pellini	TGI-Muntin	
	nw	ww			Widths	Heights
6.2 mm	•				21.5 mm	9.5 mm
8 mm	•				25.5 mm	9.5 mm
10 mm	•	•			31.5 mm	9.5 mm
12 mm	•	•	•		21.5 mm	11.5 mm
13 mm	•				25.5 mm	11.5 mm
14 mm	•	•	•		31.5 mm	11.5 mm
15 mm	•	•			21.5 mm	13.5 mm
16 mm	•	•	•	•	31.5 mm	13.5 mm
18 mm	•	•	•			
20 mm	•	•	•	•		
22 mm	•	•		•		
24 mm	•	•				
26 mm	•					
30 mm		•				

Other colors, sizes, and widths are available or can be produced according to customers' specifications.



Similar to RAL 7035
Light grey



Similar to RAL 9005
Black



Similar to RAL 8003
Light brown



Similar to RAL 7040
Dark grey



Similar to RAL 9016
White



Similar to RAL 8016
Dark brown

$$U_w = \frac{U_f \cdot A_f + U_g \cdot A_g + \psi \cdot I_f}{A_w}$$

$$T_{oi} = T_{ia} + f_{Rsi} \cdot (T_{ii} - T_{ia})$$

U_w = Thermal transmission coefficient, window

U_f = Thermal transmission coefficient, frame

U_g = Thermal transmission coefficient, glass

A_w = Window area

A_f = Frame area

A_g = Glass area

I_f = Length of edge, frame-glass

ψ = Linear thermal coefficient, composite edge

T_{oi} = Inner surface temperature

T_{ii} = Indoor air temperature +20 °C

T_{ia} = Outdoor air temperature -10 °C

f_{Rsi} = Temperature factor at $R_{si} = 0,20 \text{ m}^2 \text{ K/W}$

TECHNOFORM

Thermal edge bond solutions
for insulating glass

info.tgide@technoform.com
www.technoform.com